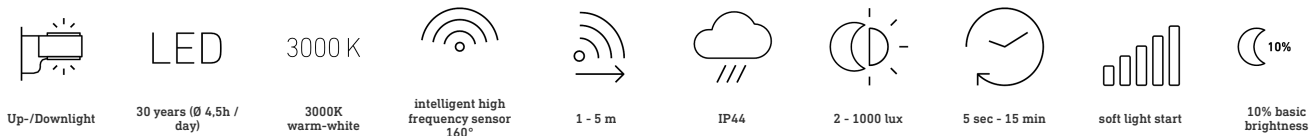


Sensor-switched LED outdoor light

V2 Silver
EAN
Article number 070007



Function description

Technical specifications

Dimensions (L x W x H)	145 x 230 x 260 mm
Mains power supply	220 – 240 V / 50 – 60 Hz
Mounting height max.	2,50 m
Sensor Technology	iHF (intelligent high-frequency technology)
Transmitter power	
Output	9,8 W
Interconnection	No
Slave modeselectable	Yes
Colour temperature	3000 K
With lamp	Yes, LED lamp
Lamp	LED cannot be replaced
LED life expectancy (25 °C)	> 60000 h
Base	without
LED cooling system	Active and Passive Thermo Control
With motion detector	Yes
Detection angle	160 °
Sneak-by guard	Yes
Capability of masking out individual segments	No
Electronic scalability	Yes
Mechanical scalability	No
Reach, radial	r = 5 m (35 m ²)

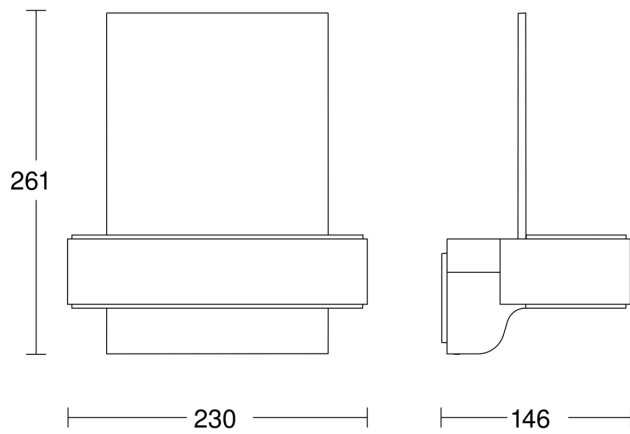
Reach, tangential	r = 5 m (35 m ²)
Photo-cell controller	Yes
Twilight setting	2 – 2000 lx
Time setting	5 s – 15 min.
Basic light level function	Yes
Basic light level function time	10/30 min, all night
Functions	Motions sensor
Soft light start	Yes
Continuous light	selectable, 4h
Impact resistance	IK03
IP-rating	IP44
Protection class	II
Ambient temperature	-20 – 40 °C
Housing material	Aluminium
Cover material	Plastic, opal
Manufacturer's Warranty	3 years
includes sheet of self-adhesive numbers	Yes
Settings via	Potentiometers
With remote control	No
Version	Silver

Sensor-switched LED outdoor light

V2 Silver
EAN
Article number 070007



Dimension Drawing



Circuit diagram

